

NANLITE

pico LED Mini Pocket Light

USER MANUAL

Version: V1.2
2025-04-30

Revision History

Version	Date (Y-M-D)	Note
V1.0	2025-3-5	File First Publish
V1.1	2025-4-22	Specifications Update
V1.2	2025-4-30	Includes Update

Contents

1. Introduction	1
2. Product Overview	2
2.1. Product Layout	2
2.2. Specifications	3
2.3. Includes	4
3. Safety Instructions	5
4. Operating Instructions	7
4.1. Charging Instructions	7
4.2. Stepped Yoke Usage	7
4.3. Magnetic Installation	8
4.4. Installing via 1/4"-20 Mount	8
4.5. Installing the Cold Shoe Adapter	9
4.6. Installing the Magnetic Diffuser	10
4.7. Turning On/Off	10
4.8. On-board Control	11
4.9. NANLINK APP Control-via Bluetooth	13
4.10. Menu	14
4.11. Firmware Update	15
5. Troubleshooting for Common Issues	15

1. Introduction

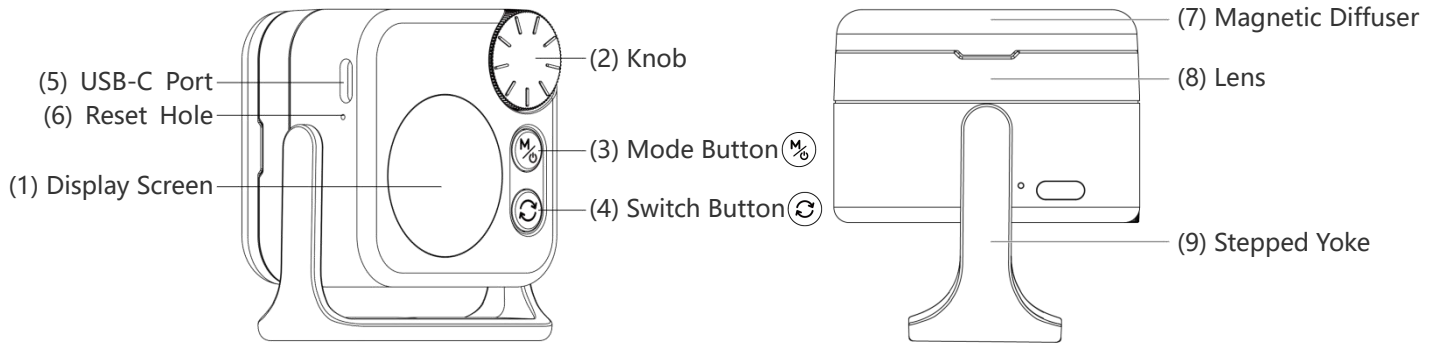
Thank you for purchasing the Nanlite product – pico!

The pico is a full-color mini pocket light that is compact and supports USB-C charging. Its stepped magnetic yoke allows for effortless multi-angle installation, making it ideal for vlogging, selfies and more. It features an adjustable color temperature range from 2700K to 7500K, 36,000 colors, and 14 built-in effects. The pico can be controlled either on-board or via the Nanlink App.

Before using pico, please read this manual carefully to ensure you can fully utilize all the features. Hope it can work with you to create more brilliant results together.

2. Product Overview

2.1. Product Layout



(1) Display Screen: For displaying the lighting status and settings.

(2) Knob: For adjusting parameters.

(3) Mode Button (M%): For switching between CCT, HSI, effect modes, and the menu, also turning the fixture on or off.

(4) Switch Button (C): For switching parameters.

(5) USB-C Port: Used to charge and power the fixture.

(6) Reset Hole: For resetting the fixture in case of a malfunction.

(7) Magnetic Diffuser: For making the light softer and even.

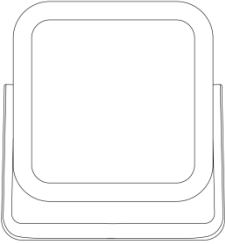



(8) Lens: For concentrating light and enhancing the illuminance (non-detachable).

(9) Stepped Yoke: For placing or mounting the fixture, adjusting the fixture's tilting angle.

2.2. Specifications

Model Name	pico
Rated Power	4W
Input Voltage/Current	DC: 5V/2A
LED Light Engine	Nebula C4 Light Engine: RGBW
CCT	2700K → 7500K (GM±150)
CRI	Average 95
TLCI	Average 95
TM-30 Rf	Average 92
TM-30 Rg	Average 99
Dimming	0%→100%, by 1% increment
Control	On-board, NANLINK APP
Special Effects	Hue Loop, CCT Flash, Hue Flash, CCT Pulse, Hue Pulse, Storm, Police Car, TV, Paparazzi, Candle/Fire, Disco, Bad Bulb, Firework and Explosion

2.3. Includes

<p>pico ×1</p>	<p>Magnetic Diffuser ×1</p>	<p>Cold Shoe Adapter with 1/4"-20 Mount ×1</p>	<p>User Manual ×1</p>
			

3. Safety Instructions

Please read and understand all safety instructions before installing or operating the fixture. Always follow the instructions to avoid personal injury and fixture damage. Retain all safety and operating instructions for future reference.

Electrical:

Danger

Please keep the fixture away from liquids or damp environments to prevent short circuits and other accidents.

Caution

Please ensure that the fixture is turned off before storing or transporting.

Caution

Please use proper and undamaged USB-C cable to connect the fixture correctly, avoiding the risk of electric shock or fixture damage.

Installation:

Caution

Please pay special attention to the impact of wind and take appropriate reinforcement measures when installing outdoors.

Operation:

Danger

Please stop using the fixture immediately if the fixture housings show visible damage.

Danger

Please do not use the fixture near flammable or explosive materials.

 **Danger**

Please be cautious, as the flashing effect may trigger seizures.

 **Caution**

Please ensure the fixture is used in an environment between -20°C and 45°C; operating outside this temperature range may damage the fixture.

 **Caution**

Please do not look directly at the light source without wearing protective glasses, as this may cause irreversible eye injury.

 **Caution**

Please do not allow children to use this fixture to prevent accidents.

Maintenance: **Caution**

Please ensure the fixture is completely dry before operating or storing it after exposure to moisture.

 **Notice**

Please do not disassemble or repair any part of the fixture on your own, as this will void the warranty. Maintenance and repair work should be carried out by an authorized service center and professional personnel.

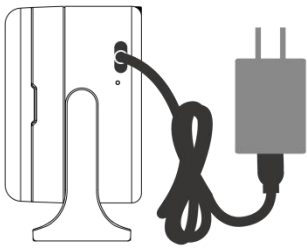
 **Notice**

Please ensure the fixture is stored away from the following environments or items: extreme temperatures, direct sunlight, high humidity, strong vibrations, pressure damage, dust, strong magnetic fields, and flammable or explosive substances.

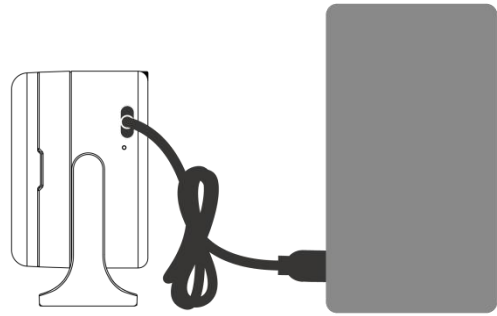
4. Operating Instructions

4.1. Charging Instructions

- (1) The fixture has a built-in lithium battery and can be used directly after charging.
- (2) The fixture can be charged using either a charger or a power bank.



Charge with a charger

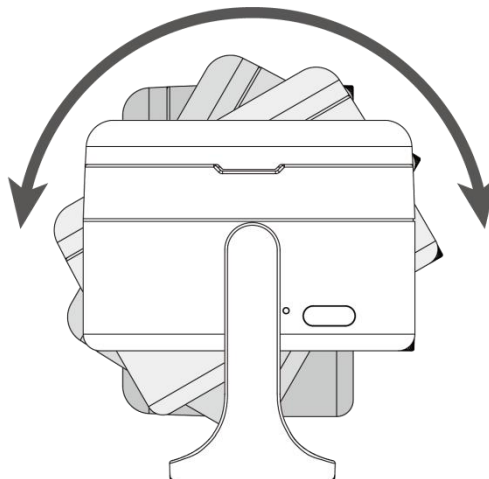


Charge with a power bank

▲Note: The charger, power bank, and USB-C cable are not included.

4.2. Stepped Yoke Usage

The stepped yoke is designed to support the fixture and adjust the tilting angle, offering 12 positions with 30° intervals, allowing flexible adjustment of the lighting direction by selecting different angles.

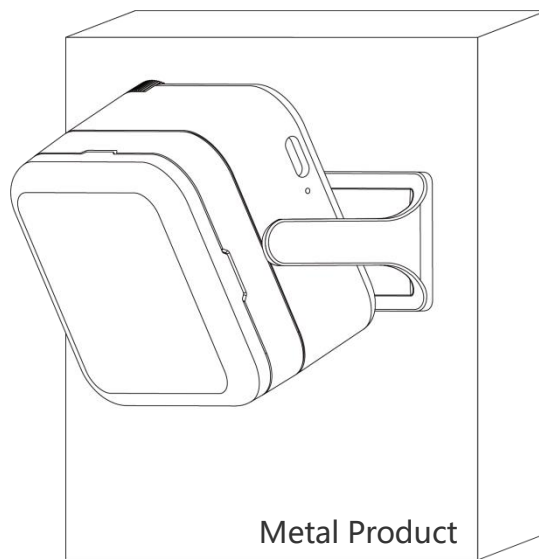


4.3. Magnetic Installation

The bottom of the yoke is equipped with magnets, allowing it to securely attach to the surface of metal products containing iron, cobalt, or nickel.

Place the bottom of the yoke close to the surface of magnetic materials to complete the attachment. Once securely fixed, gently tilt the fixture body forward and backward to adjust the lighting angle.

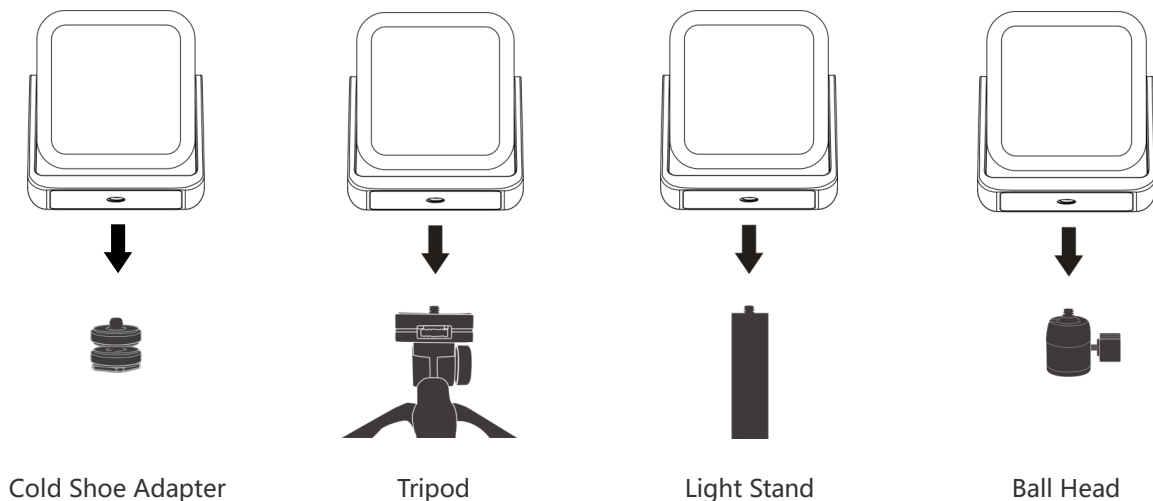
▲ Note: Please do not attach the fixture to metal surfaces with temperatures higher than 80°C, as this may cause the magnets to lose their magnetism.



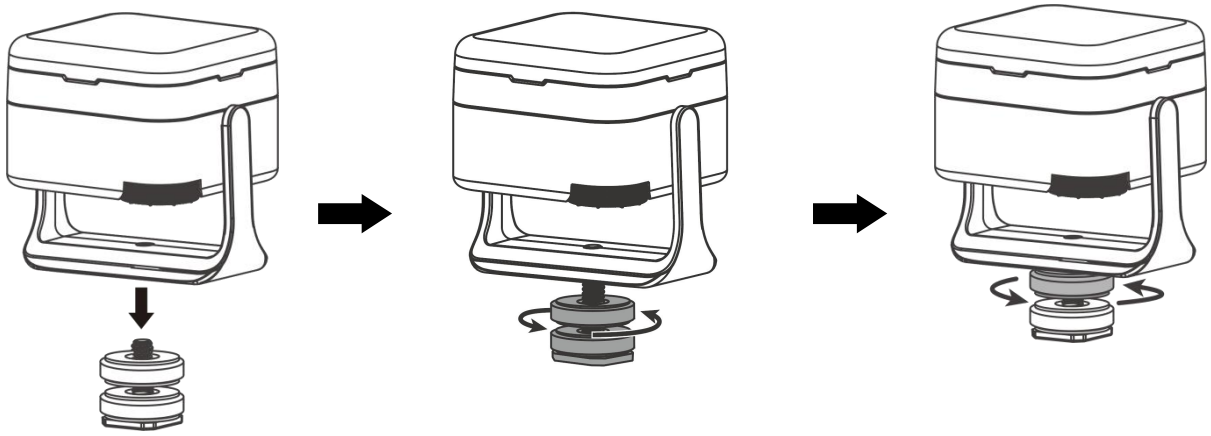
4.4. Installing via 1/4"-20 Mount

The fixture is designed with a 1/4"-20 mount, enabling it to be installed on the cold shoe adapter, a tripod, a light stand, or a ball head, for various mounting options.

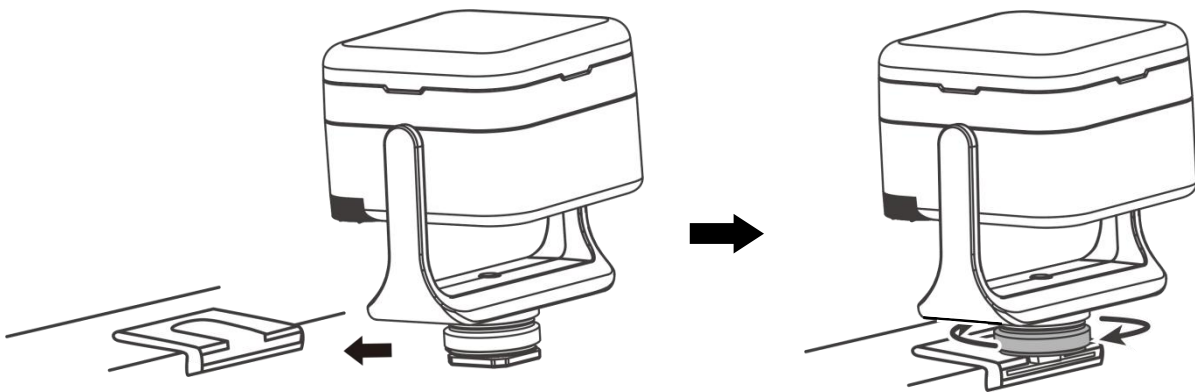
▲ Note: The cold shoe adapter is included, and other mounting accessories are sold separately.



4.5. Installing the Cold Shoe Adapter



Align the 1/4"-20 screw of the cold shoe adapter with the 1/4"-20 hole at the bottom of the fixture's yoke, then tighten the upper knob of the cold shoe adapter clockwise to complete the installation.

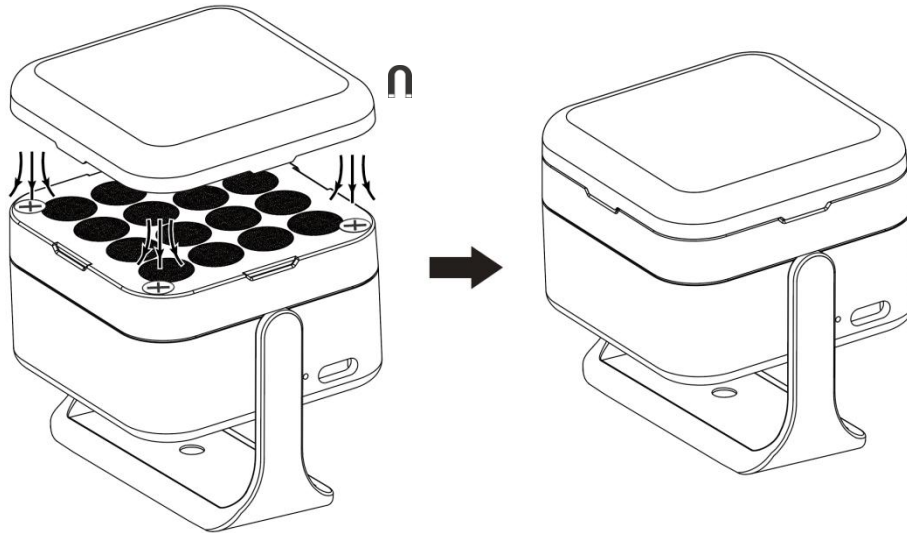


After installation, install the cold shoe adapter onto the cold shoe or hot shoe: slide the cold shoe adapter slot horizontally into the cold or hot shoe, then rotate the lower knob of the cold shoe adapter clockwise until it is fully secured to the cold or hot shoe.

▲ Note: Make sure the knob is fully tightened to prevent the fixture from falling.

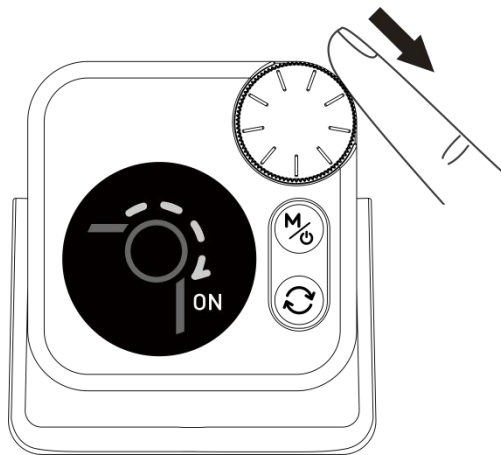
4.6. Installing the Magnetic Diffuser

Align the magnetic diffuser with the emitting surface of the fixture, bring it close to the fixture, and it will attach to complete the installation.



4.7. Turning On/Off

Turn on: Press and hold the **Mode button** (M%) for 2s, rotate the **Knob** clockwise according to the prompts on the display screen. The operation interface will appear after the screen displays 'NANLITE'.

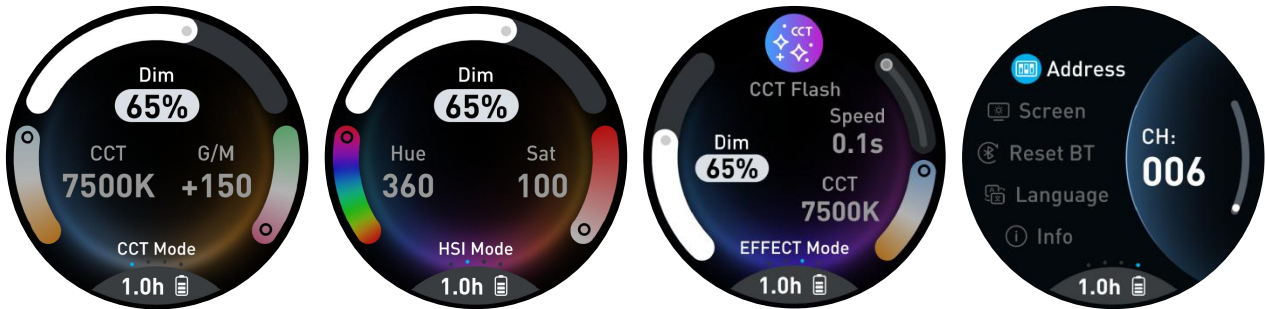


Turn off: When the fixture is turned on, long press the **Mode button** (M%) for 2s to turn the fixture off.

4.8. On-board Control

(1) Switching Interface

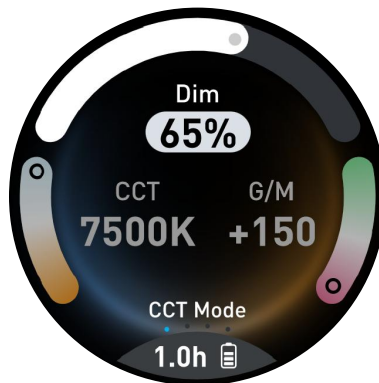
Press the **Mode button** (M%) to switch to the next mode interface. The available modes include CCT mode, HSI mode, Effect mode, and the Menu.



(2) Mode Operation

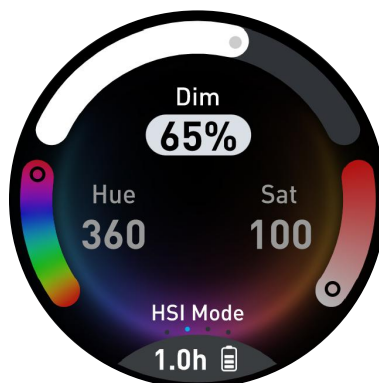
① CCT Mode

Press the **Switch button** (↻) to toggle between brightness, color temperature, and green/magenta adjustment. Rotate the **Knob** to adjust the corresponding value.



② HSI Mode

Press the **Switch button** (↻) to toggle between brightness, hue, and saturation. Rotate the **Knob** to adjust the corresponding value.



③ Effect Mode

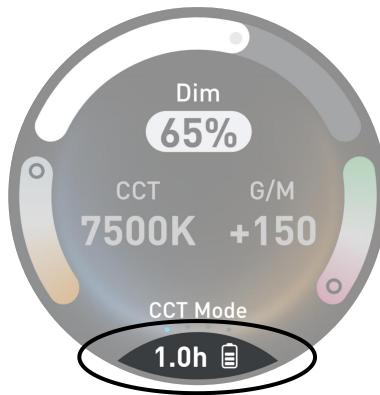
Press the **Switch button** (⌂) to select parameters (including the effects). Rotate the **Knob** to adjust the corresponding value.

The pico has 14 built-in effects, including Hue Loop, CCT Flash, Hue Flash, CCT Pulse, Hue Pulse, Storm, Police Car, TV, Paparazzi, Candle/Fire, Disco, Bad Bulb, Firework and Explosion.



(3) Battery Level Instructions

The bottom of the interface displays the battery status. On the left is the remaining runtime in the current setting, and on the right, the battery icon indicates the real-time battery level.

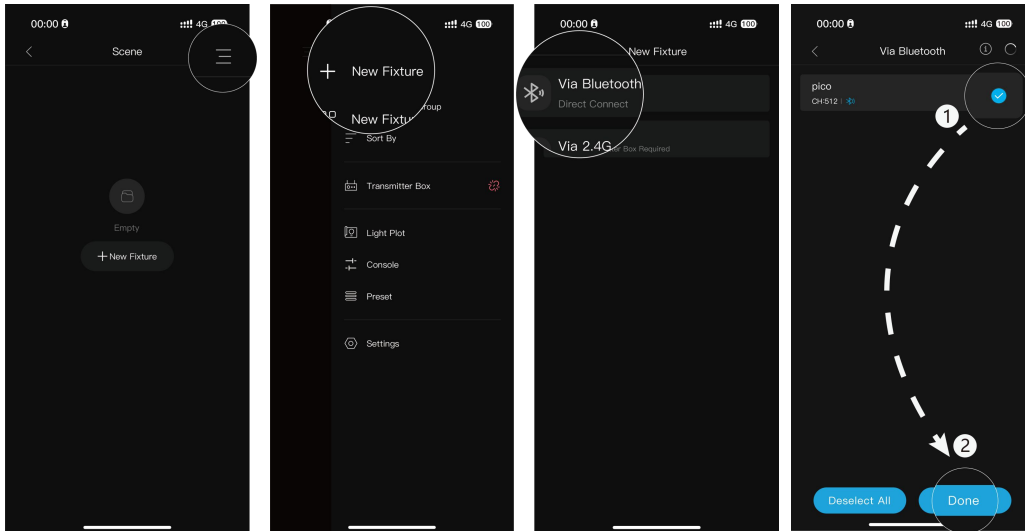


The battery icons and the corresponding battery levels:

Icon					
Battery Level	0%→5%	6%→25%	26%→50%	51%→75%	76%→100%

4.9. NANLINK APP Control-via Bluetooth

Turn on the Bluetooth of the phone, enter the NANLINK app, in the scene interface and open the right sidebar to add a fixture: Scene → Menu button at the top right → New Fixture → Via Bluetooth.

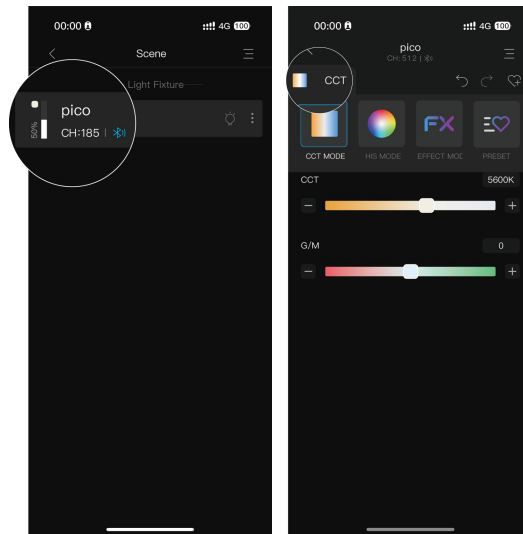


If the fixture is not detected on the app, please reset the Bluetooth on the fixture and try again.

Reset Bluetooth: In the menu, select the Reset Bluetooth, then long press the **Switch button** (🔄) to reset the Bluetooth.



After connecting via Bluetooth, tap the fixture just added in the Light Fixture list on the app to enter the control interface. Then, tap the mode in the top left corner to switch modes.



4.10. Menu

In the menu, there are options including Address, Screen Brightness, Reset Bluetooth, Language, and Info.

In the menu, press the **Switch button** (⌂) to select the menu, then rotate the **Knob** to adjust the parameters or options on the right side. After the operation is complete, the parameters or options will be automatically saved in real-time (except Reset Bluetooth and Info).



Reset Bluetooth: Press the **Switch button** (⌂) to select the Reset BT, then long press the **Switch button** (⌂) to reset Bluetooth.

Info: Displays the version information of fixture, with no options to operate.

4.11. Firmware Update

Connect the fixture to the phone, download and update the fixture's firmware through the App. The specific steps are as follows:

In the scene list where the fixture is located, tap the menu button on the right side of the navigation bar. In the settings, find Firmware Update and select the fixture that needs to be updated. Once the update is successful, the fixture will automatically restart to complete the firmware update..

- ▲ Note:
- ① If the instruction "Updated. Restart soon" is displayed, please do not operate, wait for 2s, and the fixture will automatically restart to complete the update.
 - ② If the instruction "Failed. Please retry on the APP" is displayed, please perform the firmware update again on the app.
 - ③ If the instruction "Failed. Please retry on the APP" is displayed, and the firmware update did not succeed again on the app, please gently insert the reset hole on the fixture using a pin, and update again.
 - ④ If the firmware update still fails after performing the above steps, please contact after-sales technical support.

5. Troubleshooting for Common Issues

Issues	Troubleshooting Guide
The fixture can't power up.	<ol style="list-style-type: none"> 1. Please check whether the built-in battery is charged. 2. Please try gently inserting the reset hole on the fixture using a pin to exclude the possibility of a malfunction. 3. Please check whether the temperature is too high. Keep the fixture away from heat sources or provide proper ventilation for cooling.
The display screen is on, but the fixture cannot be operated.	<ol style="list-style-type: none"> 1. Please try gently inserting the reset hole on the fixture using a pin to exclude the possibility of a malfunction. 2. Please check whether the temperature is too high. Keep the fixture away from heat sources or provide proper ventilation for cooling.
Bluetooth cannot be connected during firmware update.	Please Long press the Switch button (⏻) for 2s to reset Bluetooth, then try again.
The screen brightness is too low.	<ol style="list-style-type: none"> 1. Please check the screen brightness settings in the menu and adjust to an appropriate level. 2. Please check whether the screen is in sleep mode. Press any button or turn the Knob to activate the screen.

Please scan the QR code for more details.



【Nanlite Website】



【Nanlink App】

WWW.NANLITE.COM

NANLITE

✉ info@nanlite.com

☎ +86-754-85751187

☎ +86-754-85300887

📍 Dongli Section, Highway 324, Chenghai, Shantou City, Guangdong Province, China